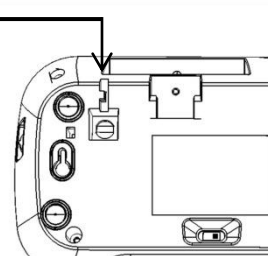
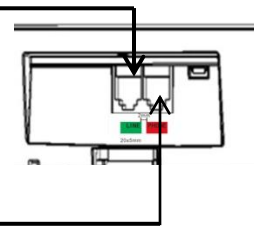
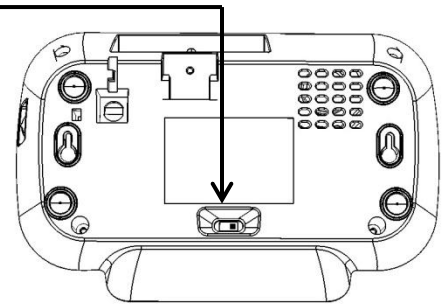




Installer's Instant Care™ Quick Start Instructions

I. Instant Care Set Up

- 1 Flip the battery switch to the "On" position. This switch is located on the bottom side of the Instant Care unit. The "Alarm Status" light will emit a red and blue flashing light and the "Power Light" will be a solid green when powered up.
- 2 Place the Instant Care unit in a central location in the home, close to a power outlet and telephone wall-jack.
- 3 Plug the phone line into the slot labeled **LINE** located on the back of the Instant Care unit. Plug the other end of the phone line into the telephone wall-jack.
- 4 Plug the house phone telephone line into the adjacent slot labeled **PHONE**.
- 5 Thread AC power cord through strain relief.
- 6 Plug the unit into an outlet not controlled by a light switch.
- 7 Verify that the green power light on the right side of the unit is a steady green and the Alarm/Status light is off.



II. Test call to the Monitoring Centers

- 1 Press the red button on the pendant.
Once the Support Center answers the call:
 - (a) voice test the unit to insure functionality.
 - (b) verify to center the client name & address
 - (c) conduct a range test



LED Reporting Chart

System Condition	Status LED	Power LED
AC power fault (No AC power)		Flashes Green
Console power ON		Solid Green
Emergency call	Solid Red	
Nurse call	Solid Blue	
Console battery low/failure	Flashes Amber	
Pendant low battery	Solid Amber	
Learning mode	Solid Purple	
Programming mode	Flashes Purple	
Battery switch is OFF	Flashes Red	
Account # empty / No Line1 / No pendant	Flashes Red then Purple	
Other devices low battery	Flashes Red then Amber	
Phone line failure	Flashes Red then Blue	

Verification

Verified	Items
<input type="checkbox"/>	AC adaptor is plugged in securely
<input type="checkbox"/>	Telephone line is plugged into the GREEN "Line-In port"
<input type="checkbox"/>	User's telephone is plugged in the RED "telephone port"
<input type="checkbox"/>	Battery switch is in the ON position
<input type="checkbox"/>	Turn ON pendant check-in feature
<input type="checkbox"/>	Perform test call to Monitoring Station by pressing the Red Button on the pendant
<input type="checkbox"/>	Remind user to perform weekly pendant test
<input type="checkbox"/>	Perform Nurse Call
<input type="checkbox"/>	Ensure that the Power LED is ON and the Status LED is OFF